




Blume[™]
Screens

Closer to Nature

Outdoor Elegance.
Unveiled.

Screens &
Veranda Sun Blinds

BlumeScreens.com 





About BlumeScreens

Redefining Outdoor Living with Style and Quality.

Crafted with precision, Blume offers high-quality outdoor screens and veranda sun blinds. Our innovative designs combine form and function, providing protection from harsh sunlight, privacy, and an elegant touch to your outdoor haven.

Built to withstand the elements, our durable screens and blinds are made from superior materials, ensuring long-lasting performance. With Blume Screens, you can seamlessly merge indoor and outdoor living, creating a tranquil oasis for relaxation and entertainment.

Elevate your outdoor space to new heights with Blume Screens - where style and quality converge for an unparalleled outdoor experience.







12
The Ease of Automated Sun Protection

18
ZipBlume Technology

28
Veranda Sun Blinds

38
One Screen, Many Solutions.

44
Why Blume?

50
Customize your Space



Why Sun Protection?

Blume provides unparalleled enjoyment and visual comfort for both indoor and outdoor spaces. Whether you're embarking on a new construction project or renovating an existing space, our solutions are incredibly versatile and seamlessly adapt to your family's needs, architectural style, and design preferences. Additionally, our products effortlessly meet the increasingly stringent requirements for comfort, safety, and energy efficiency.

At Blume we constantly strive for innovation and perfection in our product offerings, delivering high quality tailor-made solutions. This commitment is integral to our mission of becoming the leading manufacturer in our category.







Comfortable Summer

Our exterior sun protection reduces the sun's heat by at least 85 to 90%. Exterior sun control and shading solutions block the sun's rays before they even reach the window. As a result, the sun does not shine on your glass, the rays do not penetrate inside your home and the temperature inside does not rise. This keeps the indoor temperature easily 5 to 7°C lower than a home with no exterior sun protection.

Did you know? Darker Fabrics Repel More Heat

The fabric colour used in your sun protection does affect how much heat is able to penetrate indoors. Light colours let in more heat than darker shades. So a screen in anthracite is more efficient than one in ochre yellow.



A modern living room with large windows and a woman reading on a sofa. The room features a light-colored sectional sofa, a dark wood coffee table, and a woman sitting on the sofa reading a book. The large windows offer a view of a green landscape with trees and a white fence. The ceiling has recessed lighting.

Energy Efficient

Since sun protection keeps the heat out, less energy is needed for cooling in summer. But you also benefit from your sun protection in winter. If you keep your awning or blind down at night, it provides an extra layer of insulation that helps minimise heat loss. Therefore your sun protection also contributes to a better indoor climate and increased energy savings during the winter.



Visual Comfort

External and Internal Sun Shading and Solar protection Fabrics have a unique weave to help control the glare and provide a visual comfort. Not only does this reduce the amount of time you use artificial light, it also improves the comfort of your living environment.

After all, sufficient daylight and a clear view outside are extremely important for your mental and physical health: Scientific research* has shown that memory and other brain functions can improve by 10 to 25%, and that people perform better when they have plenty of daylight with sufficient outdoor visibility.

Moreover, annoying reflections on TVs and other screens become a thing of the past, and your furniture and interiors are no longer affected by sun fade.

Did you know?

It is easier to look outside through darker sun protection fabrics? And that a darker colour fabric filters over 90% of the UV radiation? This is comparable to the protection offered by factor 50 sun screen cream.

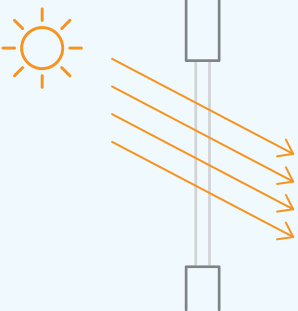
The right sun protection for every room

Which type of outside sun protection you choose depends on, among other things, the room where you want to use our system. For a living space overlooking the garden, it's best to choose a system that doesn't obstruct the view.

For a work space, it is important to avoid glare when the sun is low; for bedrooms, home theatres & home offices you mainly want to be able to darken the room.

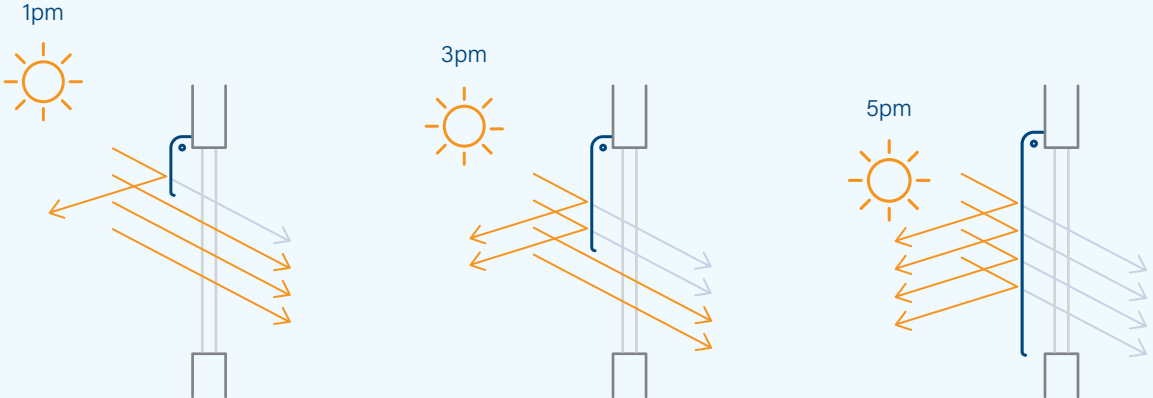


No Sun Protection



Blume Sun Protection

Optimal Light Levels At Any Time Of The Day



The amount of sunlight falling on your window depends on the orientation of your house and on the season.

Why Automated Sun Protection?

WHY AUTOMATED SUN PROTECTION?

Sustainability

An automated system activates the sun protection screen at exactly the right time, giving you a pleasant indoor climate, whilst maintaining as much natural daylight as possible.

This smart way of managing the sun's heat helps you reduce CO₂ emissions, because you can reduce your cooling with energy hungry air conditioning to (close to) zero in the summer. In winter, you can take advantage of the passive heat of the sun to reduce your heating requirements.

80% savings

You can save at least 80% on your energy bills by reducing your need for artificial lighting.

- Sun protection screens prevent large areas of glass from causing unhealthy, stifling heat.
- Blume's innovative sun protection screen prevents overheating of increasingly well-insulated buildings.
- The SC800-ZIP Façade is the ultimate screen for glass façades: safe, efficient and attractive.

Did you know?

Automation prolongs use and enjoyment



WHY AUTOMATED SUN PROTECTION?

Remote Control



Operating electronic sun protection can be simplified using different methods. A wired switch is the simplest option, but has drawbacks. You must physically access the switch every time. A wireless remote control overcomes this, allowing operation of multiple products simultaneously.

An even easier solution is a smartphone or tablet app with the Connexoon base station. For comprehensive control, TaHoma manages your entire home. Wireless sun protection control uses radio technology, enabling easy operation and reliable signals that can pass through two concrete walls.

BlumeScreens™ comes with a standard IO* motor, facilitating two-way communication. With IO*, you receive feedback confirming that your blinds are open and unobstructed.

Smart Integration

Connect with
Amazon Alexa and
Google Assistant

Security from outsiders

Unique encryption
ensures no one else
can access controls

Feedback Loop

Get visual &
audio feedback
confirmation

* IO: Input Output



WHY AUTOMATED SUN PROTECTION?

Solar Power



The SC800-ZIP Solar surface-mounted screen needs only the sun to operate completely independently. In fact, the sun keeps out the sun.

To retain its sleek appearance, the battery is incorporated into the box as standard. The screen is installed without any channelling or electrical work, which is very convenient when retrofitting to existing homes. This also means the shell of the building remains undisturbed.

The SC800-ZIP Solar provides both heat and sound insulation, is highly wind-resistant and acts as an insect screen.

Sleek Look

Battery
incorporated
in box

Perfect for retro-fitting

No channelling
or electrical work
required

Sound Insulation

Cut-down
disturbance from
outside

Still not convinced?

Sun protection can be automated in various ways: with a traditional switch, by remote control, or by weather-sensitive sensors that measure the wind strength, sun strength and precipitation. Not only does automation increase comfort, it also reduces your energy bill.

Another benefit of automation is that you can make it look as if you are home even when you are on holiday. The Blume control system allows you to enter various scenarios, so that you can program your sun protection to open and close at a different time every day.

Increase your comfort, reduce your bill.

Operate screens even when you are travelling

Pre-set time to open and close screens.







ZipBlume Technology

Why our screens are taut & smooth

Unique to this innovative system is the concealed, stainless steel spring in the guide rails. The spring does not wear, so the fabrics retain their tautness for many years. The system is extremely resistant to high wind speeds.

ZipBlume Technical Information

Box Type

Material

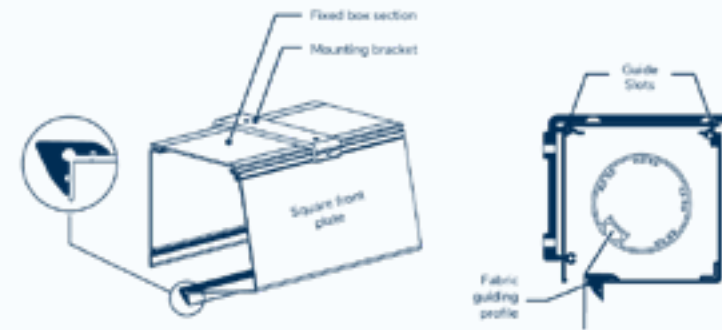
Extruded aluminium with powder coating.

Available in 3 Sizes

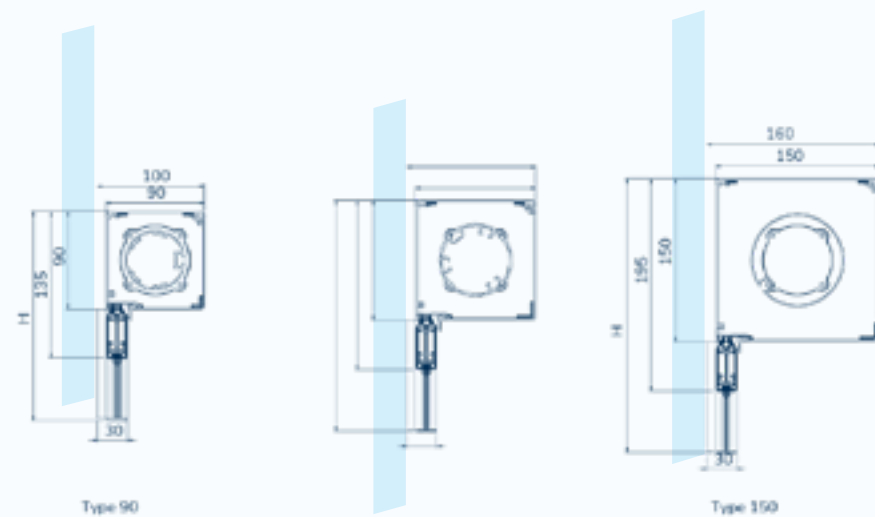
Type 90, Type 110, and Type 150 (only for pin guide mounting).

Fabric Guiding Profile

- Mounted on the box profile.
- Guides the fabric out of the box.
- Used as a stop of the bottom lath over the whole width of the box profile.
- Must be present to ensure a smooth and taut fabric.

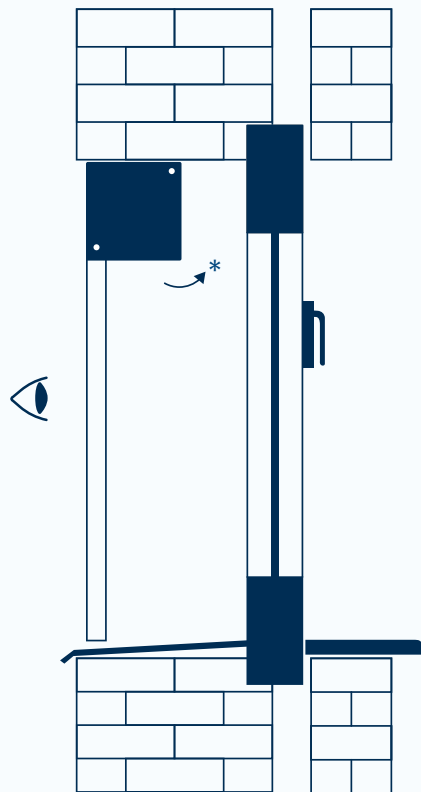


Pin Guide Mounting

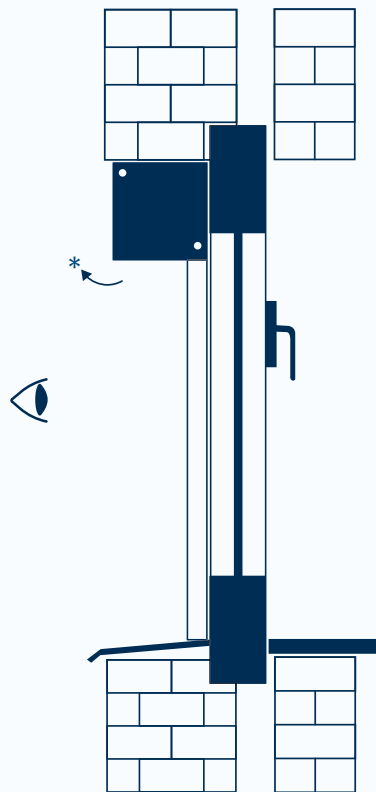


Mounting Type

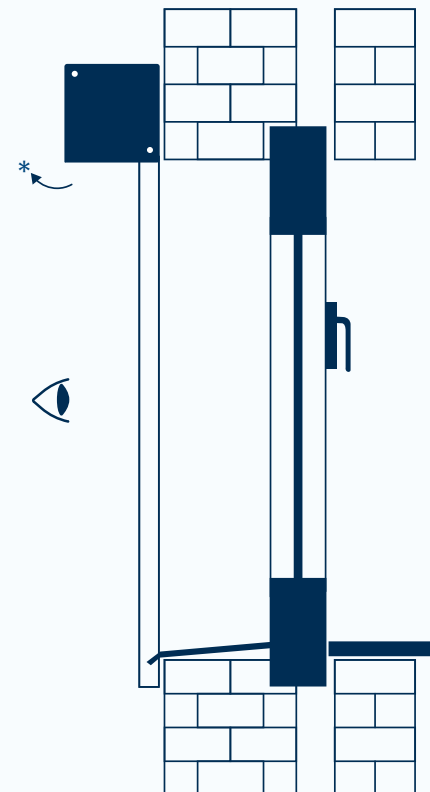
Type 1 (in the reveal)



Type 2 (in the reveal)



Type 5 (on the wall)



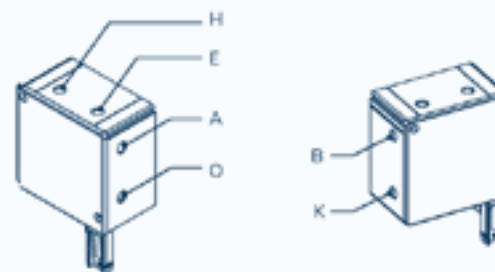
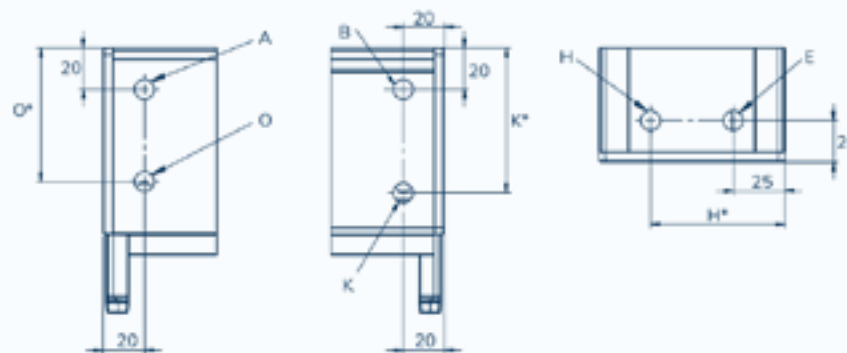
* space to open the box

ZipBlume Technical Information

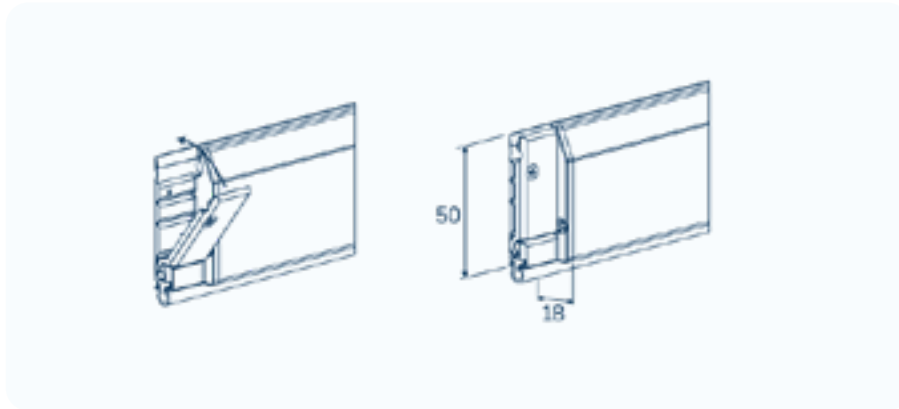
Motor Operating Exit

The exact location of the operation exit can be seen on the drawings.

Box	E	H*	K*	O*
90	-	-	70	65
110	25	85	90	85
150	25	125	130	125



Bottom Lath & Sliding Blocks



Bottom Lath

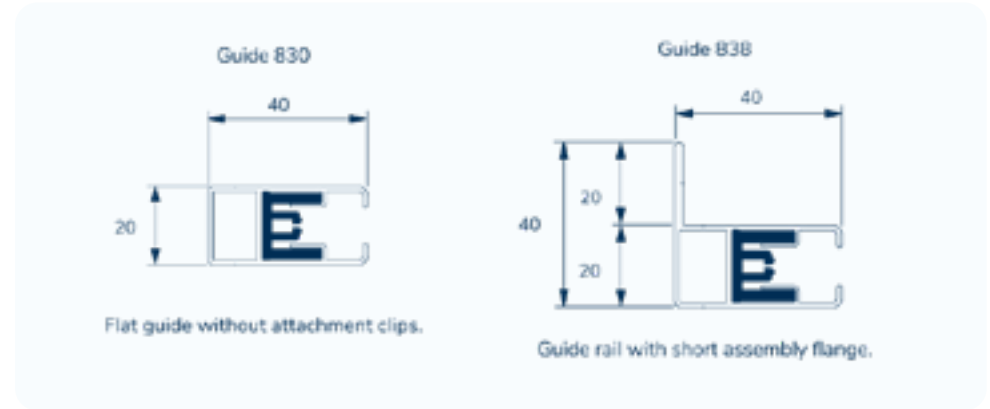
- Material: extruded aluminium profile with:
 - a powder coated finish.
 - a room for a weighting strip.
 - a fabric groove.
 - a groove for sealing rubber
- Fabric is attached to bottom lath without screws, using a plastic tube \varnothing 3 mm.

- Partially concealed in the screen box when fabric is rolled up
- Options: brush instead of rubber strip.

Sliding Blocks

In 2 parts for a good clamping of the fabric.

Guides



Material

Extruded aluminium profiles with a powder coated finish.

Pin guide mounting

The screen box is mounted onto the guides. The guides move over the pin of the consoles.

ZipBlume Technical Information

Fabric by TuffScreen®

We use TuffScreen®, a tightly woven and strong material fabric. The tighter the weave, the greater the day and night time privacy and protection.

- *Harsh Weather Protection*
- *10-Year Warranty*
- *Extra Privacy*



TuffScreen® is a Phifer® brand, and made in USA.
Product certified for low chemical emissions

Characteristic	Reference Test Method	Nominal Results	
		Warp	Fill
Yarn Diameter (Inch)	TMS-TM-001	0.018	0.018
Tensile Strength			
A) Cut Strip Method (Lb)	ASTM D 5035	140174	113148
B) Grab Method (Lb)	ASTM D 5034		
Tearing Strength			
Trapezoid Method (Lb)	ASTM D 1117	37	31
Yarn Slippage (Lb)	ASTM D 4912	31	27
Stiffness (Mg)	ASTM D 3656	264	145
Stretch (%)	TMS-TM-002	1.1	4
Set (%)	TMS-TM-002	0.2	0.8
Mesh Weight (Oz/sq Yd)	ASTM D 3776	7.1	
Fabric Thickness (Inch)	ASTM D 1777	0.027	
Bond Strength (Lb)	CS 248-64(5.5)	42	
Openness (%)	TMS-TM-009	45	
Blocking	FS L-S-125B(4.4.9)	Scale 1	
Color-fastness To 12:00hrs		All Colors 4	
Color Change According To AATCC Gray Scale	TMS-TM-003	Min	
Mullen Bursting Strength (PSI)			
Initial	FS L-S-125B(4.4.7)	308	





For our children.

By choosing Blume sun protection, you take a conscious step towards sustainability, towards protecting the environment.

Blume sun protection enables you to create a comfortable climate indoors without expensive and power-hungry air conditioning that release harmful gases in the environment.







Veranda Sun Blinds

Award-winning total concept





VZ080-ZIP

INSTALLATION
Front of the window

PERFECT FOR
Sun Facing Structures

With VZ080-ZIP blinds, you get the most from your veranda, skylight or rooflight. With this example of timeless design, you can enjoy precisely the right level of shade. It will never get too hot. After all, the ingenious design means you can block out the sun entirely.

Unique features

Ultra-compact,
fully closed box

One system,
endless options

Sleek &
Minimalistic

Zero Gap
Fabric Edge

Ultra-taut
fabric finish

Low
Maintenance

✔ *Super-compact box for 3.5 m drop*

✔ *Perfect blackout*

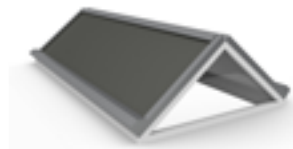


Dimensions

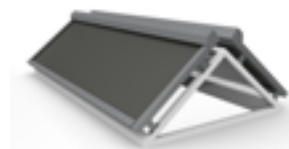
Max. Width
3 m (1 section) | 10 m (4 sections)

Max. Drop
3.5 m

Max. Area
10.5 m² (1 section) | 35 m² (4 sections)



Bottom-up



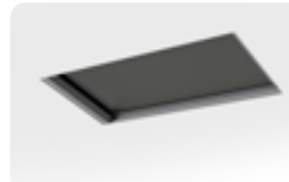
Top-down



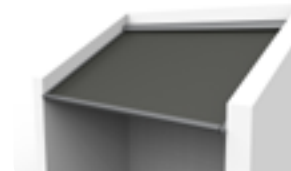
Lateral



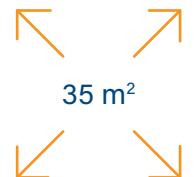
Built-on



Interior Sun Protection



Built-in



35 m²

VZ800-ZIP

INSTALLATION
Front of the window

PERFECT FOR
Large Glass Roofs

The VZ800-ZIP is the second member of our award-winning VZ range. This veranda sun blind is ideal for large expanses of glass and rates highly on comfort, design, security and energy savings. It is a sleek, slimline, and highperformance blind!

Unique features

Dimmable LED lighting option

Covers large glass expanses

Sleek & Minimalistic

Zero Gap Fabric Edge

Ultra-taut fabric finish

Low Maintenance

- ✓ *Ultra-compact box*
- ✓ *Perfect blackout possible*



Dimensions

Max. Width
6 m (1 section) | 16 m (4 sections)

Max. Drop
6 m

Max. Area
25 m² (1 section) | 96 m² (4 sections)

Total Blackout Guaranteed

(Also available in VZ080-ZIP)

Blume Sun Blinds

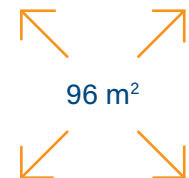


✓ No light ingress because fabric edge is completely enclosed

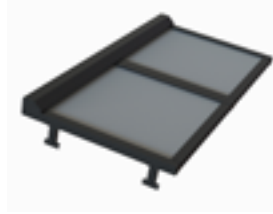
Common Sun Blinds



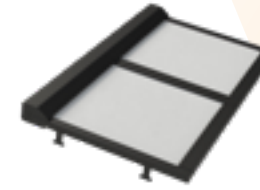
✗ Light ingress through opening between guide rails and fabric



Technical Details



VZ080-ZIP



VZ800-ZIP

DIMENSIONS

Max. width in 1 section	3 m	6 m
Max. width coupled (4 sections)	10 m	16 m
Max. drop	3.5 m	6 m
Max. area in 1 section	10.5 m ²	25 m ²
Max. area coupled (4 sections)	35 m ²	96 m ²

OPERATION

IO	Standard	Standard
RTS	Optional	Optional
WT	Optional	Optional
2 motors	Width > 5 m	Width > 8 m

SUSTAINABILITY

Fully closed box	✓	✓
Taut fabrics	Fabric tensioning system and ZIP system	Fabric tensioning system and ZIP system
A total blackout is possible	✓	✓

Why Veranda Sun Blinds?

1 Enjoy your veranda
in any weather

2 Set the right
amount of shade

3 Experience
Total Blackout

4 Made-to-Measure
Solution

5 Sleek &
Minimalistic

6 Large Glass
Expanse



One Screen. Many Solutions.





SC800-ZIP

INSTALLATION LOCATION

Front of the window

PERFECT FOR

Ideal for renovations

Blume surface-mounted screens provide a versatile option for protection, even in buildings where such measures were not initially considered. The SC800-ZIP model, designed to be installed in front of windows, proves particularly advantageous for renovation projects.

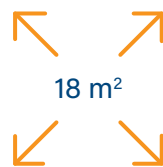
With this system, your home's insulation remains intact since the building shell is not compromised. Moreover, the SC800-ZIP seamlessly blends with any architectural style, offering a choice between a square or round box design. Furthermore, its exceptional wind-strength classification ensures it can withstand strong gusts without any issues.



No Insects



Wind Resistance up to Beaufort Level 6



18 m²

Maximum Size



Features

- *Ideal for renovations*
- *No penetration of the building shell*
- *The right box for any architectural style: sleek or traditional*
- *Complies with the highest possible wind-strength classification*
- *Unique Xglide wear-resistant technology for a longer fabric lifespan*
- *Innovative ZIP system with stainless steel springs for ultra-taut awning fabric (screen also available without the ZIP system as model SC700)*

SC800-ZIP SOLAR

INSTALLATION LOCATION
Front of the window

PERFECT FOR
Sun Facing Structures

Blume surface-mounted screens offer a reliable and convenient solution for safeguarding your windows, even in buildings without prior protection plans. The SC800-ZIP SOLAR model, specifically designed for front window installation, is a perfect fit for renovation projects without compromising your home's insulation, as it doesn't penetrate the building shell.

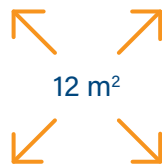
With its versatile design, the SC800-ZIP SOLAR seamlessly complements any architectural style, allowing you to choose between a square or round box. It holds the highest wind-strength classification, ensuring exceptional durability against reasonable gusts of wind. Embrace the confidence and reliability that Blume surface-mounted screens provide for all your protection needs.



No Insects



Wind Resistance up to Beaufort Level 6



Maximum Size



Features

- No cutting or structural intrusion
- Operates entirely on solar power
- Sleek design with an integrated battery
- + All the benefits of the SC800-ZIP

Super-insulating

1.3 Wm2K

Excellent sound reduction

54 (0;-3) dB

SC800-ZIP FAÇADE

INSTALLATION LOCATION
Front of the window

PERFECT FOR
Glass façades

Discover the enhanced capabilities of the SC800-ZIP screen with its ingenious mounting profile, now perfectly compatible with large glass façades! Thanks to its narrow window profile, it necessitates a central fixing in the core of the glass façade profile. The innovative 'Protect Glass' mounting profile ensures a secure fit with just one screw, while the guide rails easily attach with a clip. Experience all the benefits of our durable screen, worry-free from any risk of glass breakage!



Features

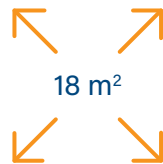
- Ideal for large glass façades with very small window profiles
- Sleek, square screen box blends with your glass façade
- Innovative 'Protect Glass' installation profile: no risk of glass breakage
- Safe installation
- + All the benefits of the SC800-ZIP



No Insects



Wind Resistance up to
Beaufort Level 6



Maximum Size
18 m²

SC900-ZIP

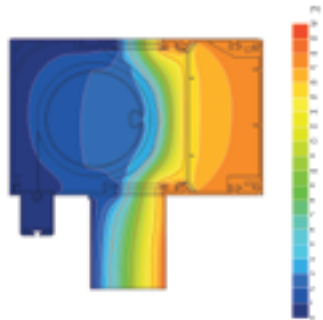
INSTALLATION LOCATION

Concealed

PERFECT FOR

Sun Facing Structures

Introducing the SC900-ZIP built-on screen - an excellent choice for renovations and new builds. It provides heat insulation, soundproofing, and blocks sunlight while keeping your home cozy. Conceal the narrow guide rails for a sleek look, and paint the box to match your windows for seamless integration.



✓ Super-Insulating
1.3 Wm2K

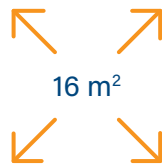
✓ Excellent Sound Reduction
54 (0;-3) dB



No Insects



Wind Resistance up to
Beaufort Level 6



16 m²

Maximum Size



Features

- Ideal for major renovations and new builds
- Suitable for virtually zero-energy living
- Super-insulating and soundproof box made from extra-tough extruded aluminium
- Box (visible inside the home) can be painted the same colour as the window profiles
- Tempo Click system for easy installation above the window
- Option to conceal the guide rails in the façade for a sleek appearance
- Flexible ZIP profile that can be clicked in and out of the lateral guides to allow easy fabric maintenance
- Also available without the insulating box as model SC910-ZIP, which allows you to choose the finish and insulation.

Technical Details



SC800-ZIP

SC800-ZIP SOLAR

SC800-ZIP FAÇADE

TYPE	Surface-mounted	Surface-mounted	Surface-mounted
DIMENSIONS			
Max. width	5 m	4 m	5 m
Max. height	6 m	3 m	6 m
Max. area	18 m ²	12 m ²	18 m ²
OPERATION			
io operation (2-way communication)	✓	-	✓
RTS operation (1-way communication)	Optional	Solar	Optional
Push button (electric wired)	Optional	-	Optional
Winch handle (manually)	Optional	-	-
WIND RESISTANCE			
Beaufort **	Up to Beaufort Level 6	Up to Beaufort Level 6	Up to Beaufort Level 6
SUSTAINABILITY			
X-glide anti-wear fabric technology	✓	✓	✓
ZIP profile with stainless steel springs	✓	✓	✓



Why Screens?

1 Energy-neutral solution

2 High Outdoor Visibility

3 No gaps for sun rays to leak inside

4 High resistance to strong winds

5 Low maintenance product

7 Doubles as an insect screen

6 Clear screens to diffused screens to blackout screens

8 Taut and smooth finish thanks to ZipBlume Technology

Why Blume?

1

Vast range of colours at no extra cost

You can argue about taste and colours, but we won't. With over 50 colours, Blume's range has something for everyone. Moreover, all RAL colours are included in the price as standard, as is a wide range of textured coating colours. So, a Blume sun protection solution will complement your home perfectly.

2

The perfect fabric for any situation

Blume offers the widest range of fabrics in the sun protection market, so you are bound to find the right fabric for your sun protection solution. The type of fabric you need doesn't simply depend on your type of sun protection; you also need to take into account the degree of transparency, the level of UV protection, the colour, etc. But whichever choice you make, all our fabrics comply with the strictest requirements for outdoor textiles. We extensively test the fabrics (10,000 cycles) for dimensional stability, roll-up and discolouration. Only if they pass these tests are they included in our fabric range.

Our own fabric workshop

Screen fabrics are ultrasonically welded for super-tough adhesion.

Extremely sustainable

Our fabrics are weather and UV resistant. They do not discolour, stretch or tear. They are also treated with a mould-resistant coating.

Low maintenance

It is almost impossible for dust to adhere to the fibres of our dust-repellent fabrics, which makes them extremely low-maintenance.

Visual comfort

From fabrics that allow sufficient daylight to permeate, to full blackout fabric for rooms where daylight needs to be excluded.

Perfect harmony

Our extensive range of fabrics allows you to match all your sun protection solutions with one another to create a stylish and harmonious look.

Printing

Our fabrics can also be printed. Ideal for retail and catering businesses.

3

Side wind and sun sensors for peace of mind

Weather sensors on your sun protection solution mean you no longer have to keep an eye on the weather forecast. These sensors ensure that your awning or blind opens or closes automatically depending on the light intensity or wind speed. For the ultimate in convenience, choose a combination of sun and wind sensors.

Sun sensor

The sun protection solution is activated by the sun sensor when the pre-set intensity is exceeded. The sensor can operate wirelessly (IO) so no cables are required. And the feedback function means you're always kept informed.



Wind sensor

A wireless or wired wind sensor opens or closes the awning or blind depending on the wind speed. With a folding arm awning, you can opt for a wireless wind sensor on your awning's fascia, which then adjusts automatically, depending on wind direction and speed.



4

Installed by Experts

Blume distributors are required to undergo practical training in our own Blume Academy to keep up with all the innovations, and also to stay up-to-date with their product knowledge. This enables them to advise you on the right choice of product, and to then expertly install your chosen solution.

5

Extremely Sustainable

Make significant savings on your energy bills with Blume's energy-efficient solutions. Our solutions keep abreast of the increasingly stringent energy consumption requirements. The innovative elements we incorporate are the ideal solution for excluding the sun and cold. For maximum efficiency, our solutions can be programmed to respond to varying weather conditions.

6

Made-to-measure sun protection

Blume supplies 100% made-to-measure solutions, where every detail counts. Our sun protection solutions can be perfectly tailored to your wishes.

- A solution for any construction project: new build or renovation, house or apartment, with a balcony or terrace, sleek or rustic
- Choose from over 50 RAL colours and a wide range of scratch-resistant textured coatings
- Extensive range of options for maximum comfort: lighting, heating, automation

7

Ease of operation

All Blume solutions are designed to make your life easier. Our sun protection solutions are available with motor and remote control. This allows you to enjoy our high-quality products at the press of a button - and by using your smartphone, it doesn't matter where you are.

8

Full service from start to finish

Our Blume distributors are there for you. And after installation - so is our service department, because having correct maintenance tips will allow you to enjoy your Blume solution for years to come.

- Advice on the right choice of product
- 100% made-to-measure
- Installation by experts
- 5-year quality warranty
- After-sales service

Countless Colors, Endless Fabrics.

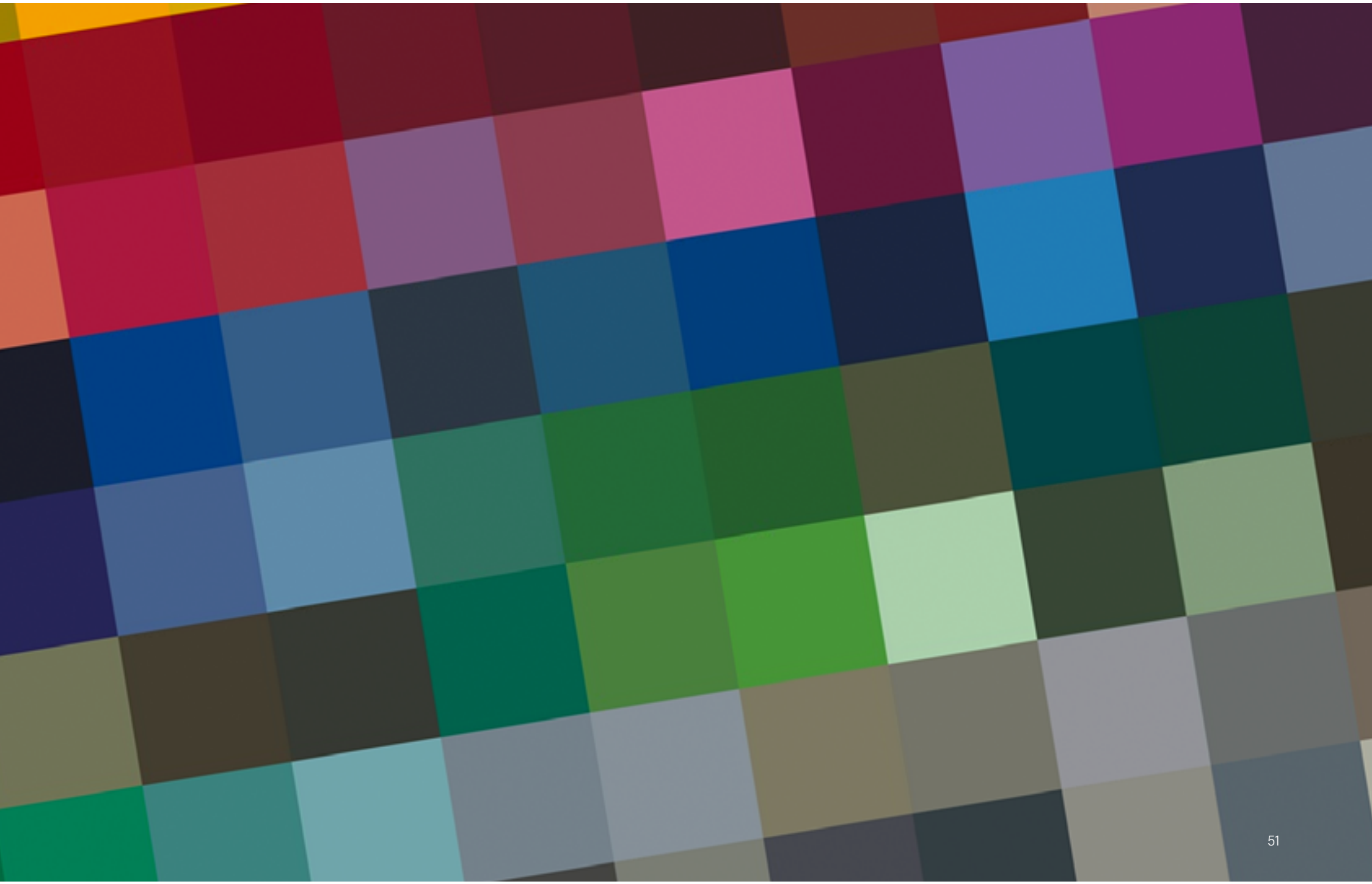
Fabrics

- Maximum UV protection
- Water-repellent
- Sound-absorbing
- Resistant to dirt and rot
- Fabric weight: 300 grams/m²
- Choice of over 200 colours and designs (block, striped, fantasy)
- Manufactured in our own workshop

Fascia Colours

- Aluminium box and arms available in
- 50 RAL colours,
- Wide range of textured coating colours at the standard price
- Finished with environmentally friendly powder coating





Pune / India

Kelegent Metaplast India Pvt. Ltd., Industrial Shed #7, Survey #24/2,
Jadhavrao Industrial Estate, Nanded City, Sinhagad Road, Pune - 411041.

info@meshworkz.com | +91 78880 27448

Sharjah / UAE

Global Window Metal Mesh Factory LLC, Street #22, Shed #5,
Industrial Area 15, Near Al Marai Depo, Maliha Road, Sharjah, UAE.

crm@meshworkz.ae | +971 6533 4459

